

Polebox 205 ED



Mounting and installation products E-mobility
EV-charger pole mount
NEXT GREEN - POLEBOX 205 ED

Model

E-No:
27 001 77

Product name:
Charging box mount Polebox 205 ED



POLEBOX 205 ED FEATURES

- Precut hole pattern to suit one Ensto One
- For mounting on \varnothing 60 mm steel tubes
- Most of the installation can be prepared indoors
- Robust steel construction
- Distribution block (1.5mm² - 25mm²)
- Prepared for mounting an earth fault circuit breaker, 3G / 4G router
- Powder coated, available in various colors. Contact Next Green for more information

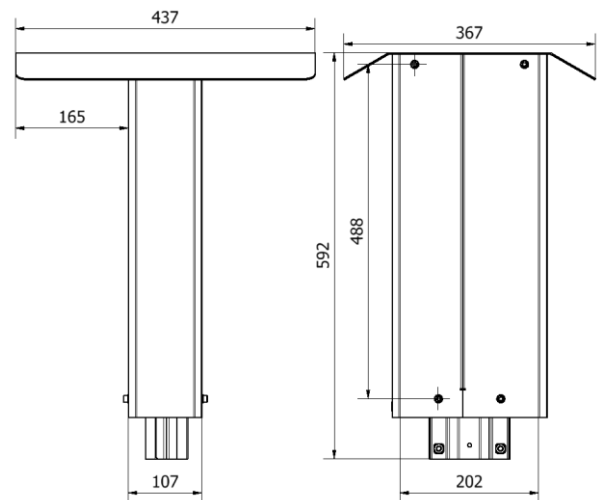
Technical specifications

Material
Color

Steel, High-strength steel
Graphite grey

Dimensions
Weight 9 kg
Height 592 mm
Width 367 mm
Depth 437 mm
Mounting surface 205 mm

Packaging dimensions
Weight 9 kg
Height 600 mm
Width 400 mm
Depth 450 mm



Next Green Polebox is a post mount for charging boxes for mounting on a 60 mm pipe post. Polebox makes it easy, for example when changing from engine heater location to charging location and can therefore be used to replace an engine heater hood. The product is intended for feeding electrical cables inside the pole tube.

Polebox has a built-in distribution terminal for up to 2 x 5G25 power cable for extending the connection to the next charging post. From the distribution terminal in the Polebox, the respective charging box is then connected using a 5G2.5 rubber cable. Polebox comes with a DIN rail for residual current circuit breakers and can be fitted with an additional DIN rail for units such as a Wi-Fi-router or a 3G/4G modem or power supply.

Everything fits neatly inside the box. Polebox is made of Swedish steel and powder coated to provide the highest quality.

Polebox is made to fit many different charger models. Screw holes for each charger are drilled upon installation. Polebox is very easy to install. It is prepared indoors by mounting charging boxes and unplugging the wiring from the dispersion terminal. Polebox is then put in place outside on the existing steel tube and the charger hood is lifted and fastened. This provides easy access for screwing supply wires into the plinth.

Polebox 205 ES is equipped with a hole pattern to fit two Ensto One charging boxes.