

# Pole mount beam and facade 60-108

Mounting and installation products E-mobility  
NEXT GREEN - POLEMOUNT BEAM AND FACADE 60-108

## Model

E-No:  
27 002 97

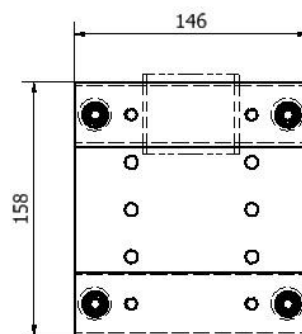
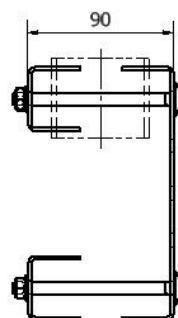
Product name:  
Pole mount beam and  
facade 60-108

## POLE MOUNT BEAM AND FACADE 60-108 FEATURES

- Precut hole pattern for installation on wood beams, edge planks or beams, retaining walls of facades
- Fit any length of Ø 60-108 mm steel tubes
- Robust galvanized steel construction



Example of mounting on a parking plank.



Vikt: 1,1 kg

## Technical specifications

Material Galvanized steel

### Dimensions

Weight 1.1 kg  
Height 158 mm  
Width 146 mm  
Depth 90 mm

Next Green – Pole mount beam and facade 60-108 is used to attach a Ø 60-108 mm pole to support such as dividing planks in parking lots, fender beams, wooden edge beams, retaining walls or facades for charger installation. The mounting bracket comes with bolts for attachment of any length of Ø 60 mm poles.

## Accessories

Steel tube Ø 60 mm

### E-no/product number

27 003 76  
27 003 75  
27 003 74  
27 001 81  
27 000 28  
24190021  
24190022

### Product name

Steel tube 500 mm  
Steel tube 750 mm  
Steel tube 1000 mm  
Steel tube 1200 mm  
Steel tube 1500 mm  
Steel tube 2500 mm  
Steel tube 2850 mm

