

Poleplate 160 E

next  green

Mounting and installation products E-mobility
Charging box mount - pole plate
NEXT GREEN - POLEPLATE 160 E

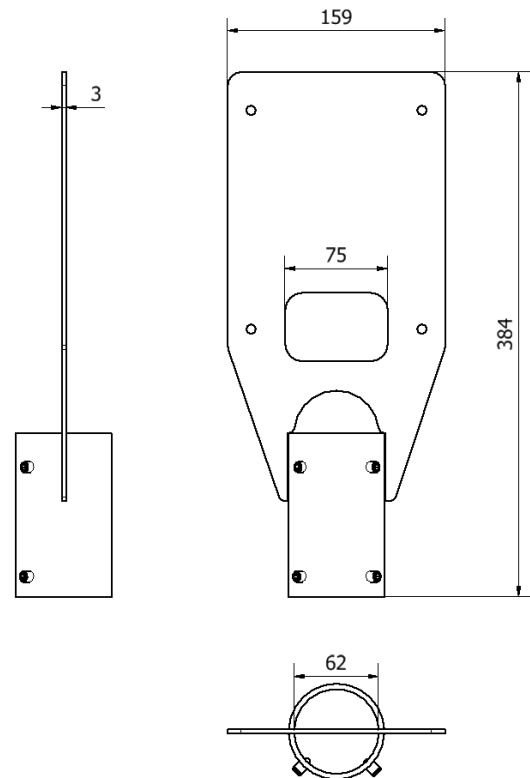
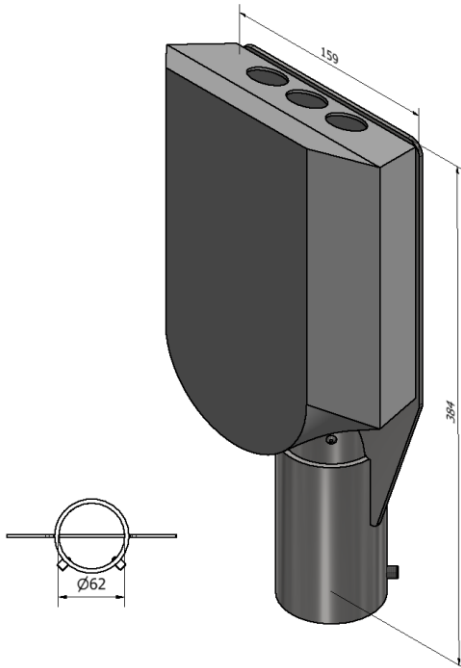
Model

E-No:
27 000 68

Product name:
Charging box holder Poleplate 160 E

POLE PLATE 160 E FEATURES

- Precut hole pattern to suit Easee EV-charger
- For mounting on a $\varnothing 60$ mm steel tube
- Robust steel construction
- Powder coated, available in various colors. Contact Next Green for more information



Technical specifications

Material Steel, Powder coated
Color Jet Black - RAL9005

Dimensions
Weight 1.7 kg
Height 384mm
Width 159mm

Packaging dimensions
Weight 2.0 kg
Height 390 mm
Width 190 mm
Depth 60 mm

Next Green Poleplate 160 E is a charger mount for installation on a $\varnothing 60$ mm pole. Poleplate is made of Swedish steel and powder coated to provide the highest durability and quality. Poleplate enables easy mounting of a charging box to a steel tube.

Poleplate is manufactured in Sweden for the Nordic climate. It has a powder-coated design to withstand wind and weather. The

Poleplate charging box holder is a cost-effective pole mount. Poleplate 160 E facilitates changing an engine heater station to a charging station and can be used to replace an engine heater central.

next  green

Next Green AB
Brudtallsvägen 14
SE-792 32 MORA
SWEDEN

www.nextgreen.se
info@nextgreen.se
Tel: +46 250 50 39 90