

# Poleplate 225 Z



Mounting and installation products E-mobility  
Charging box mount - pole plate  
NEXT GREEN - POLEPLATE 225 Z

## Model

E-No:  
27 002 51

Product name:  
Poleplate 225 Z



## POLEPLATE 225 Z FEATURES

- Precut hole pattern to suit Zaptec PRO EV-charger
- For mounting on a  $\varnothing$  60 mm steel tube
- Robust steel construction
- Powder coated, available in various colors. Contact Next Green for more information

## Technical specifications

**Material**  
Color

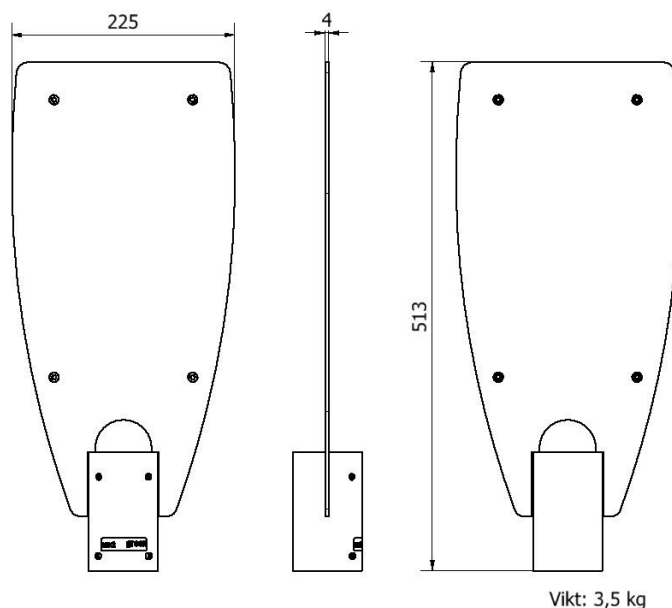
Steel, Powder coated  
Graphite grey

### Dimensions

Weight 3,5 kg  
Height 513 mm  
Width 225 mm  
Depth 60mm

### Packaging dimensions

Weight 3,5 kg  
Height 520 mm  
width 230 mm  
Depth 60 mm



Vikt: 3,5 kg

Next Green Poleplate 225 Z is a charger mount for installation on a  $\varnothing$  60 mm pole. Poleplate is made of Swedish steel and powder coated to provide the highest durability and quality. Poleplate enables easy mounting of a charging box to a steel tube.

Poleplate is manufactured in Sweden for the Nordic climate. It has a powder-coated design to withstand wind and weather. The

Poleplate charging box holder is a cost-effective pole mount. Poleplate 225 Z facilitates changing an engine heater station to a charging station and can be used to replace an engine heater central .