

Angle mount 60

Mounting and installation products E-mobility
NEXT GREEN - POLEMOUNT BEAM AND FACADE 60-108

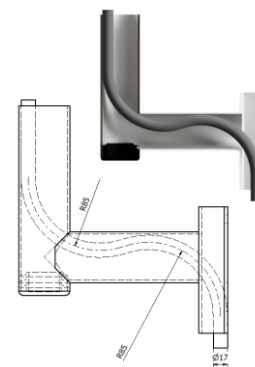
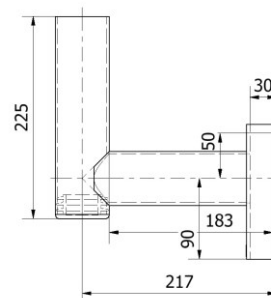
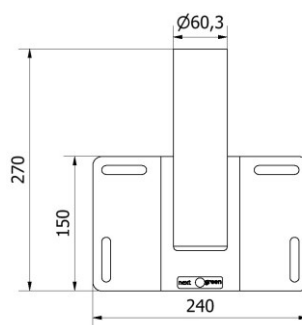
Model

E-No:
27 004 09
S-No:
35 063 29

Product name:
Angle mount 60

ANGLE MOUNT 60 FEATURES

- A \varnothing 60 mm tube bracket for a facade where the unit needs some distance to the facade
- Robust construction in hot dip galvanized steel
- Cable diameter up to 17 mm at 85 mm bending radius can be routed internally
- Screw connection not included
- Elongated mounting holes facilitate assembly on the facade



Technical specifications

Material Galvanized steel - SS-EN ISO 1461

Dimensions 3,0 kg
Weight 270 mm
Height 240 mm
Width 247 mm
Depth

Next Green - Angle mount 60 is designed to be mounted on walls or facades where distance is needed for mounting of a EV-charger. Angle bracket 60 is a robust universal bracket made of galvanized steel for the Nordic climate and has a diameter of 60 mm.

