

Ceiling and floor mount HD 60

next  green

Mounting and installation products E-mobility
NEXT GREEN - CEILING AND FLOOR MOUNT HD 60

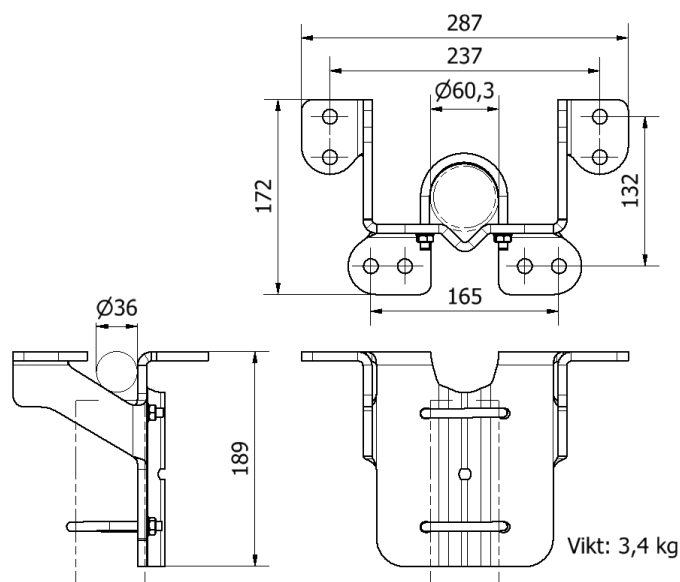
Model

E-No:
27 001 76
S-No:
35 063 11

Product name:
Ceiling and floor mount HD 60

CEILING AND FLOOR MOUNT HD 60 FEATURES

- Precut hole pattern for mounting on ceilings and on floor
- Designed to enable cable entry 360°
- Fits any length of Ø 60 mm steel tubes
- Safety bolt hole
- Robust hot dip galvanized steel construction



Technical specifications

Material Galvanized steel - SS-EN ISO 1461

Dimensions

Weight 3,4 kg
Height 189 mm
Width 287 mm
Depth 172 mm

Next Green – Ceiling and floor mount HD 60 has been developed to mount a 60 mm steel tube for further installation of a charging box from the ceiling or floor, for example in a parking garage. The ceiling and floor mounts allow for cable entry 360°. The bracket comes with U-bolts for mounting 60 mm Steel tubes of any length. Attached with expander. Screw and plug not included. Steel tubes not included.

Accessories

Steel tube Ø 60mm

E number
27 000 28
24190021
24190022

Product name
Steel tube 1500 mm
Steel tube 2500 mm
Steel tube 2850 mm



next  green

Next Green AB
Brudtallsvägen 14
SE-792 32 MORA
SWEDEN

www.nextgreen.se
info@nextgreen.se
Tel: +46 250 50 39 90