

Charging box pole Stepped 108-60 with hatch

next  green

Mounting and installation products E-mobility
NEXT GREEN - CHARGING BOX POLE STEPPED 108 - 60 with hatch

Model

E-No:
27 003 93
S-No
35 063 35

Product name:
Next Green charging box pole
Stepped 108 - 60 with hatch



Technical specifications

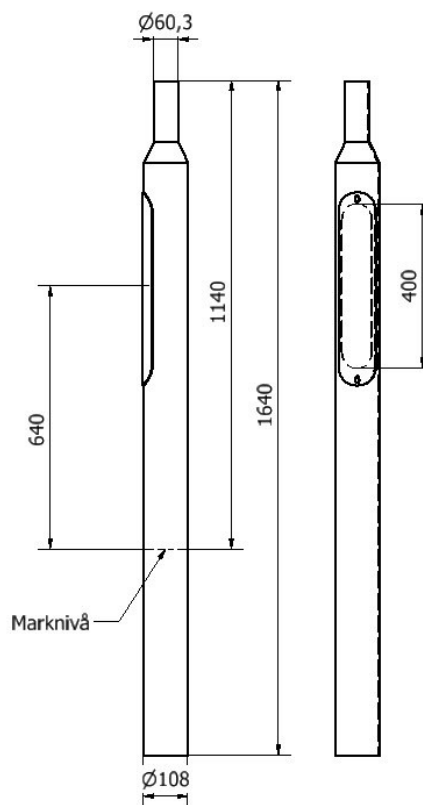
Material Galvanized steel - SS-EN ISO 1461
Form Stepped
Color Galvanized
Attachment Insert

Dimensions
Weight 12 kg
Length 1640 mm

Base diameter 108 mm
Top diameter 60 mm
Foundation insert 500 mm

CHARGING BOX POLE FEATURES

- Allows extra powerful and stable mounting of charging boxes
- With hatch for easier cable management
- Insert in \varnothing 108 mm foundation
- \varnothing 60 mm top tube
- Hot dip galvanized
- Can be provided powder coated in any color. Contact Next Green for more information



Next Green - Charging box pole Stepped 108 - 60 with hatch is a solid steel post with a base diameter of 108 mm and root-adapted for a plug-in foundation. Perfect for Next Green Foundation GP108 and Next Green charging box holder Polebox.

Gives a solid and robust impression for all charging boxes and is particularly suited for heavier charging boxes and charging box holders.

Can be powder coated in any RAL color.

Accessories

Foundation GP108 can be ordered from separate item number

E number
27 007 45

Product name
Foundation GP108



next  green

Next Green AB
Brudtallsvägen 14
SE-792 32 MORA
SWEDEN

www.nextgreen.se
info@nextgreen.se
Tel: +46 250 50 39 90