

Daytona T2



Mounting and installation products E-mobility
EV-charger cable holder
NEXT GREEN - DAYTONA T2

Model

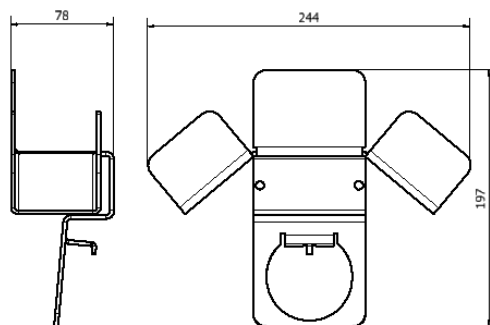
E-No:
24 803 56
S-No:
35 063 00

Product name:
Cable holder Daytona T2



DAYTONA T2 FEATURES

- Keeps your charging cable neatly in place
- Robust and sturdy steel construction
- Can be mounted to both walls and steel tubes with a bracket set (option)
- Secures cable socket in the holder mount
- Extends the life of the charging cable
- Angled design for water drainage of charging glove T2.
- Screws and plugs for fastening to the facade are included
- Powder coated, available in various colors. Contact Next Green for more information



Technical specifications

Material Steel, powder coated
Color Graphite grey

Dimensions

Weight 1 kg
Height 197 mm
Width 244 mm
Depth 78 mm

Packaging dimensions

Weight 1,1 kg
Height 220 mm
Width 240 mm
Depth 95 mm



Next Green Daytona T2 is a handy and tidy holder for your EV-charging cables. Daytona T2 is made of steel and designed to keep your charger cable organized and extend the cables life span. The Type 2 socket is secured in place thanks to the laser cut housing. The charging cable holder is designed by Next Green and manufactured in Sweden to suit the Nordic climate. The cable holder can be installed direct to a wall or on a pole. When used on a wall, the holder protects the wall from damage from the cable. Daytona T2 comes powder coated with screws and plugs for wall installation.

Accessories

Bracket set for mounting on Ø 60 mm steel tube.
Tubes are ordered using a separate product number.

E number
24 803 67
S-No
35 063 04

Name
Bracket set for
mounting on
Ø 60 mm steel
tube.

