

Polebox 205 D2



Mounting and installation products E-mobility
EV-charger pole mount
NEXT GREEN - POLEBOX 205 D2

Model

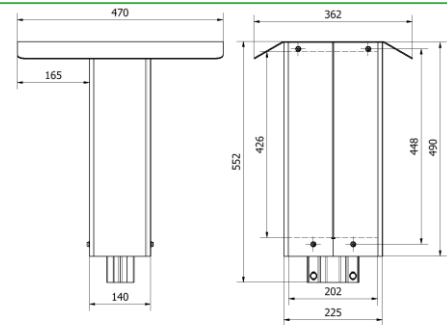
E-No:
24 804 40
S-No:
35 063 03

Product name:
Charging box mount Polebox 205 D2



POLEBOX 205 D2 FEATURES

- For mounting two chargers back-to-back
- For mounting on Ø 60 mm steel tubes
- Most of the installation can be prepared indoors
- Robust steel construction
- Distribution block (1.5mm² - 25mm²)
- Prepared for mounting up to two RCCB/RCBO, 3G / 4G router
- Powder coated, available in various colors. Contact Next Green for more information.



Technical specifications

Material Steel, High-strength steel, Magnelis®
Color Graphite grey

Dimensions
Weight 11 kg
Height 552 mm
Width 362 mm
Depth 470 mm
Mounting surface 203 mm

Packaging dimensions
Weight 11 kg
Height 570 mm
Width 390 mm
Depth 205 mm

SELECTION OF COMPATIBLE EV-CHARGERS

- ABB Terra AC
- ALFEN Eve Single
- AUTEL Maxicharger AC
- Charge Amps Dawn
- Charge Amps Halo
- Compleo eBOX smart
- CTEK Njord GO
- DEFA Power
- Easee
- Elinta Homebox Slim
- Garo GLB
- Garo Entity Compact
- go-e
- Phasebox 2.0
- Wallbox Pulsar Max
- Wallbox Copper SB
- Zaptec Go

Next Green Polebox 205 D2 is a tube or pole mount for EV-charging boxes for mounting on a 60 mm steel tube or pole. Polebox makes it easy, for example when changing from engine heater location to charging location and can therefore be used to replace an engine heater hood. The product is intended for feeding electrical cables inside the tube or pole.

Polebox has a built-in distribution terminal for up to 2 x 5G2.5 mm² power cable for extending the connection to the next charging post. From the distribution terminal in the Polebox, the respective charging box is then connected using a 5G2.5 mm² rubber cable.

Polebox comes with a DIN rail to mount RCCB/RCBO and can be equipped with an additional DIN rail for units such as a Wi-Fi-router or a 3G/4G modem or power supply. Everything fits neatly inside the box. Polebox is made of Swedish

steel and powder coated to provide the highest quality. Polebox is made to fit many different charger models. Mounting holes for each charger are drilled upon installation. Polebox is very easy to install. It is prepared indoors by mounting the EV-chargers and installing the wiring from the distribution terminal. Polebox is then put in place outside on the existing steel tube and the charger hood is lifted and fastened. This provides easy access for screwing supply wires into the distribution terminal.

Suitable for charging boxes with a maximum hole pattern width of 203 mm and 430 mm height.



Next Green AB
Brudtallsvägen 14
SE-792 32 MORA
SWEDEN

www.nextgreen.se
info@nextgreen.se
Tel: +46 250 50 39 90