

Polebox 205 ES

next  green

Mounting and installation products E-mobility
EV-charger pole mount
NEXT GREEN - POLEBOX 205 ES

Model

E-No:
24 803 64
S-No:
35 063 09

Product name:
Charging box holder Polebox 205 ES



POLEBOX 205 ES FEATURES

- For mounting on \varnothing 60 mm steel tubes
- Most of the installation can be prepared indoors
- Robust steel construction
- Distribution block has support for 1.5 mm² – 25 mm² cable, Al and Cu
- Prepared for mounting an RCCB/RCBO, 3G / 4G router
- Powder coated, available in various colors. Contact Next Green for more information

Technical specifications

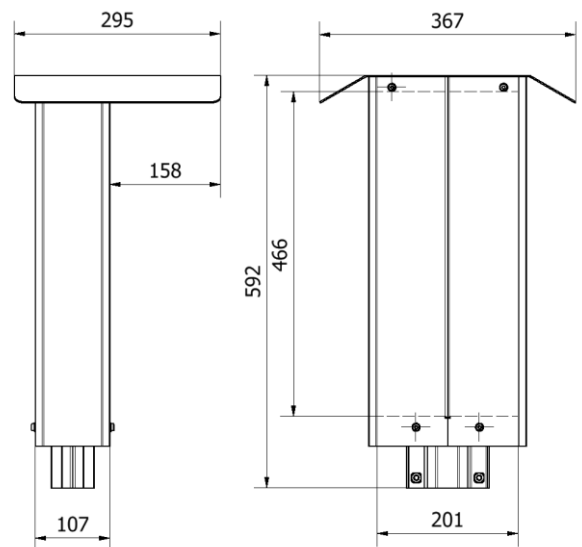
Material Steel, High-strength steel, Magnelis®
Color Graphitegrey

Dimensions

Weight 9 kg
Height 592 mm
Width 367 mm
Depth 295 mm
Mounting surface 205 mm

Packaging dimensions

Weight 9 kg
Height 600 mm
Width 400 mm
Depth 300 mm



Next Green Polebox 205 ES is a tube or pole mount for EV-charging boxes for mounting on a 60 mm steel tube or pole. Polebox makes it easy, for example when changing from engine heater location to charging location and can therefore be used to replace an engine heater hood. The product is intended for feeding electrical cables inside the tube or pole. Polebox has a built-in distribution terminal for up to 2 x 5G25 mm² power cable for extending the connection to the next charging post. From the distribution terminal in the Polebox, the respective charging box is then connected using a 5G2.5 mm² rubber cable.

Polebox comes with a DIN rail to mount RCCB/RCBO and can be equipped with an additional DIN rail for units such as a Wi-Fi-router or a 3G/4G modem or power supply.

Everything fits neatly inside the box. Polebox is made of Swedish steel and powder coated to provide the highest quality. Polebox is made to fit many different charger models. Mounting holes for each charger are drilled upon installation. Polebox is very easy to install. It is prepared indoors by mounting the EV-chargers and installing the wiring from the distribution terminal. Polebox is then put in place outside on the existing steel tube and the charger hood is lifted and fastened. This provides easy access for screwing supply wires into the distribution terminal.

next  green

Next Green AB
Brudtallsvägen 14
SE-792 32 MORA
SWEDEN

www.nextgreen.se
info@nextgreen.se
Tel: +46 250 50 39 90