

Polebox 270 S



Mounting and installation products E-mobility
EV-charger pole mount
NEXT GREEN - POLEBOX 270 S

Model

E-No:
24 803 65
S-No:
35 063 07

Product name:
Charging box mount Polebox 270 S



POLEBOX 270 S FEATURES

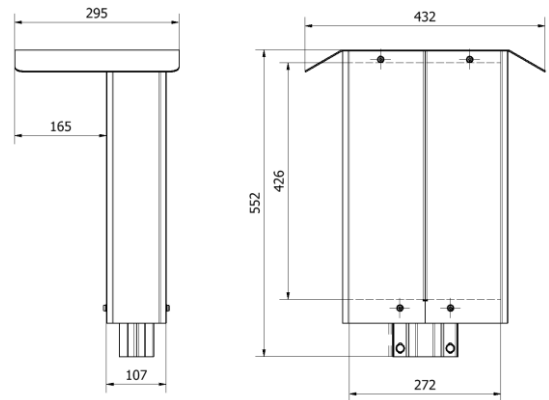
- For mounting on Ø 60 mm steel tubes
- Most of the installation can be prepared indoors
- Robust steel construction
- Distribution block has support for 1.5 mm² – 25 mm² cable, Al and Cu
- Prepared for mounting an RCCB/RCBO, 3G / 4G router
- Powder coated, available in various colors. Contact Next Green for more information.

Technical specifications

Material Steel, High-strength steel, Magnelis®
Color Graphite grey

Dimensions
Weight 10 kg
Height 552 mm
Width 432 mm
Depth 295 mm
Mounting surface 270 mm

Packaging dimensions
Weight 10 kg
Height 570 mm
Width 390 mm
Depth 205 mm



SELECTION OF COMPATIBLE EV-CHARGERS

- Alfen Eve Single
- Charge Amps Dawn
- Compleo eBOX smart
- DEFA eRange IQ
- Elinta Homebox Slim
- Garo Entity PRO
- Norwesco Refuel
- Schneider Evlink Home
- Zaptec PRO

Next Green Polebox 270 S is a tube or pole mount for EV-charging boxes for mounting on a 60 mm steel tube or pole. Polebox makes it easy, for example when changing from engine heater location to charging location and can therefore be used to replace an engine heater hood. The product is intended for feeding electrical cables inside the tube or pole. Polebox has a built-in distribution terminal for up to 2 x 5G2.5 mm² power cable for extending the connection to the next charging post. From the distribution terminal in the Polebox, the respective charging box is then connected using a 5G2.5 mm² rubber cable. Polebox comes with a DIN rail to mount RCCB/RCBO and can be equipped with an additional DIN rail for units such as a Wi-Fi-router or a 3G/4G modem or power supply. Everything fits neatly inside the box.

Polebox is made of Swedish steel and powder coated to provide the highest quality. Polebox is made to fit many different charger models. Mounting holes for each charger are drilled upon installation. Polebox is very easy to install. It is prepared indoors by mounting the EV-chargers and installing the wiring from the distribution terminal. Polebox is then put in place outside on the existing steel tube and the charger hood is lifted and fastened. This provides easy access for screwing supply wires into the distribution terminal.

Suitable for charging boxes with a maximum hole pattern width of 270 mm and 430 mm height.