

# Polebox 320 D

next  green

Mounting and installation products E-mobility  
EV-charger pole mount  
NEXT GREEN - POLEBOX 320 D

## Model

E-No  
27 004 91  
S-No:  
35 063 27

Product name:  
Charging box mount Polebox 320 D



## POLEBOX 320 D FEATURES

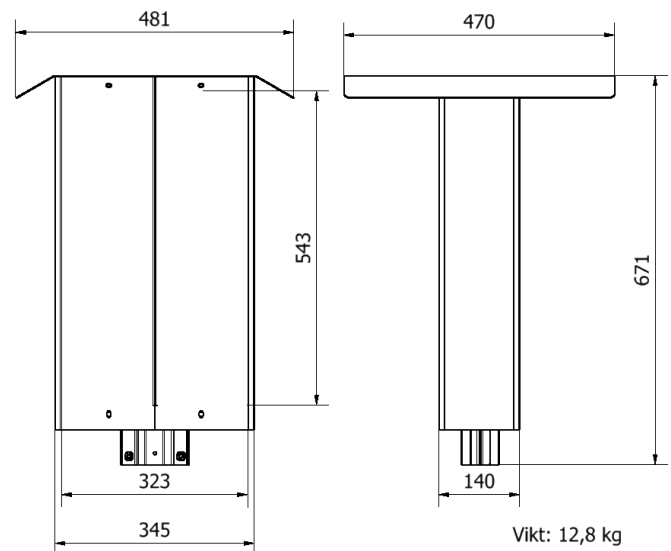
- For mounting on  $\varnothing$  60 mm steel tubes
- Most of the installation can be prepared indoors
- Robust steel construction
- Distribution block has support for 1.5 mm<sup>2</sup> – 25 mm<sup>2</sup> cable, Al and Cu
- Prepared for mounting an RCCB/RCBO, 3G / 4G router
- Powder coated, available in various colors. Contact Next Green for more information.

## Tekniska specifikationer

**Material Color** Steel, High-strength steel, Magnelis® Graphite grey

**Dimensions**  
Weight 12,8 kg  
Height 671 mm  
Width 481 mm  
Depth 470 mm  
Mounting surface 320 mm

**Packaging dimensions**  
Weight 13 kg  
Height 688 mm  
Width 490 mm  
Depth 215 mm



## SELECTION OF COMPATIBLE EV-CHARGERS

- CTEK Chargestorm
- Hager Witty
- Keba P30 11/22kW
- Schneider Evlink Pro AC

Next Green Polebox 320 D is a tube or pole mount for EV-charging boxes for mounting on a 60 mm steel tube or pole. Polebox makes it easy, for example when changing from engine heater location to charging location and can therefore be used to replace an engine heater hood. The product is intended for feeding electrical cables inside the tube or pole. Polebox has a built-in distribution terminal for up to 2 x 5G25 mm<sup>2</sup> power cable for extending the connection to the next charging post. From the distribution terminal in the Polebox, the respective charging box is then connected using a 5G2.5 mm<sup>2</sup> rubber cable. Polebox comes with a DIN rail to mount RCCB/RCBO and can be equipped with an additional DIN rail for units such as a Wi-Fi-router or a 3G/4G modem or power supply. Everything fits neatly inside the box. Polebox is made of Swedish

steel and powder coated to provide the highest quality. Polebox is made to fit many different charger models. Mounting holes for each charger are drilled upon installation. Polebox is very easy to install. It is prepared indoors by mounting the EV-chargers and installing the wiring from the distribution terminal. Polebox is then put in place outside on the existing steel tube and the charger hood is lifted and fastened. This provides easy access for screwing supply wires into the distribution terminal.

Suitable for larger charging boxes with a maximum hole pattern width of 320 mm and 540 mm height.

next  green

Next Green AB  
Brudtallsvägen 14  
SE-792 32 MORA

www.nextgreen.se  
info@nextgreen.se  
Tel: +46 250 50 39 90