

Polebox 330 D

next  green

Mounting and installation products E-mobility
EV-charger pole mount
NEXT GREEN - POLEBOX 330 D

Model

E-No:
27 002 50
S-No:
35 063 31

Product name:
Charging box holder Polebox 330 D



Technical specifications

Material
Color

Steel, High-strength steel, Magnelis®
Graphite Grey

Dimensions
Weight
Height
Width
Depth
Mounting surface

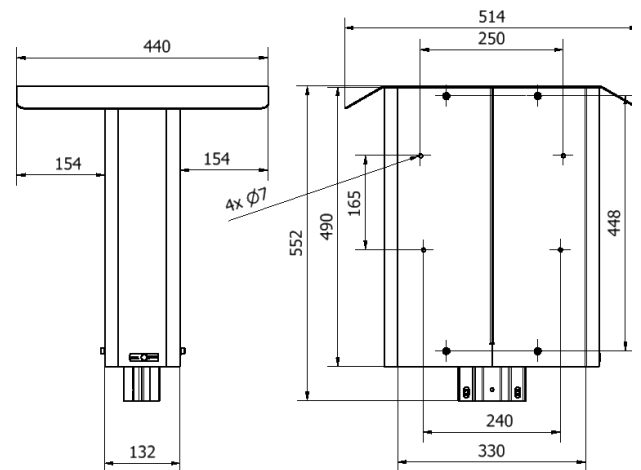
12 kg
552 mm
514 mm
492 mm
330 mm

Packaging dimensions
Weight
Height
Width
Depth

12 kg
570 mm
390 mm
350 mm

POLEBOX 330 D FEATURES

- Lasercut hole pattern for Charge Amps Aura
- Designed to suit two EV-chargers back-to-back
- For mounting on Ø 60 mm steel tubes
- Most of the installation can be prepared indoors
- Robust steel construction
- Distribution block has support for 1.5 mm² – 25 mm² cable, Al and Cu
- Prepared for mounting an RCCB/RCBO, 3G / 4G router
- Powder coated, available in various colors. Contact Next Green for more information



Hålbild Charge Amp Aura

Next Green Polebox 330 D is a tube or pole mount for EV-charging boxes for mounting on a 60 mm steel tube or pole. Polebox makes it easy, for example when changing from engine heater location to charging location and can therefore be used to replace an engine heater hood. The product is intended for feeding electrical cables inside the tube or pole. Polebox has a built-in distribution terminal for up to 2 x 5G2.5 mm² power cable for extending the connection to the next charging post. From the distribution terminal in the Polebox, the respective charging box is then connected using a 5G2.5 mm² rubber cable. Polebox comes with a DIN rail to mount RCCB/RCBO and can be equipped with an additional DIN rail for units such as a Wi-Fi-router or a 3G/4G modem or power supply. Everything fits neatly inside the box.

Polebox is made of Swedish steel and powder coated to provide the highest quality. Polebox is made to fit many different charger models. Mounting holes for each charger are drilled upon installation. Polebox is very easy to install. It is prepared indoors by mounting the EV-chargers and installing the wiring from the distribution terminal. Polebox is then put in place outside on the existing steel tube and the charger hood is lifted and fastened. This provides easy access for screwing supply wires into the distribution terminal.

Polebox 330 has a pre-cut hole pattern to suit **Charge Amps Aura**.

next  green

Next Green AB
Brudtallsvägen 14
SE-792 32 MORA
SWEDEN

www.nextgreen.se
info@nextgreen.se
Tel: +46 250 50 39 90