

# Polebox 330 S



Mounting and installation products E-mobility  
EV-charger pole mount  
NEXT GREEN - POLEBOX 330 S

## Model

E-No:  
24 803 66  
S-No:  
35 063 30

Product name:  
Charging box holder Polebox 330 S



## POLEBOX 330 S FEATURES

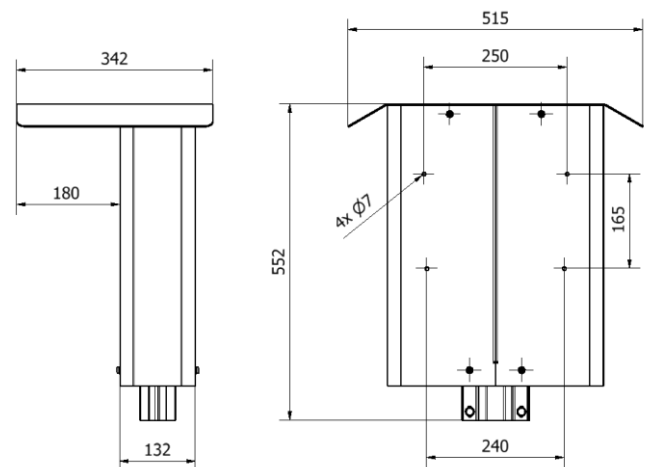
- Lasercut hole pattern for Charge Amps Aura
- For mounting on  $\varnothing$  60 mm steel tubes
- Most of the installation can be prepared indoors
- Robust steel construction
- Distribution block has support for 1.5 mm<sup>2</sup> - 25 mm<sup>2</sup> cable, Al and Cu
- Prepared for mounting an RCCB/RCBO, 3G / 4G router
- Powder coated, available in various colors. Contact Next Green for more information

## Technical specifications

**Material** Steel, High-strength steel, Magnelis®  
**Color** Graphite Grey

**Dimensions**  
Weight 12 kg  
Height 552 mm  
Width 515 mm  
Depth 342 mm  
Mounting surface 330 mm

**Packaging dimensions**  
Weight 12 kg  
Height 570 mm  
Width 390 mm  
Depth 210 mm



**Next Green Polebox 330 S** is a tube or pole mount for EV-charging boxes for mounting on a 60 mm steel tube or pole. Polebox makes it easy, for example when changing from engine heater location to charging location and can therefore be used to replace an engine heater hood. The product is intended for feeding electrical cables inside the tube or pole.

Polebox has a built-in distribution terminal for up to 2 x 5G2.5 mm<sup>2</sup> power cable for extending the connection to the next charging post. From the distribution terminal in the Polebox, the respective charging box is then connected using a 5G2.5 mm<sup>2</sup> rubber cable.

Polebox comes with a DIN rail to mount RCCB/RCBO and can be equipped with an additional DIN rail for units such as a Wi-Fi-router or a 3G/4G modem or power supply. Everything fits neatly inside the box.

Polebox is made of Swedish steel and powder coated to provide the highest quality. Polebox is made to fit many different charger models. Mounting holes for each charger are drilled upon installation. Polebox is very easy to install. It is prepared indoors by mounting the EV-chargers and installing the wiring from the distribution terminal. Polebox is then put in place outside on the existing steel tube and the charger hood is lifted and fastened. This provides easy access for screwing supply wires into the distribution terminal.

Polebox 330 has as precut hole pattern to suit **Charge Amps Aura**.