

Poleplate 330

next  green

Mounting and installation products E-mobility
Charging box mount - Pole plate
NEXT GREEN - POLEPLATE 330

Model

E-No:
27 000 20
S-No
35 063 17

Product name:
Charging box mount Poleplate 330



POLE PLATE 330 FEATURES

- Precut hole pattern to suit Charge Amps Aura EV-charger
- For mounting on a \varnothing 60 mm steel tube
- Robust steel construction
- Powder coated, available in various colors. Contact Next Green for more information

Technical specifications

Material
Steel, Powder coated

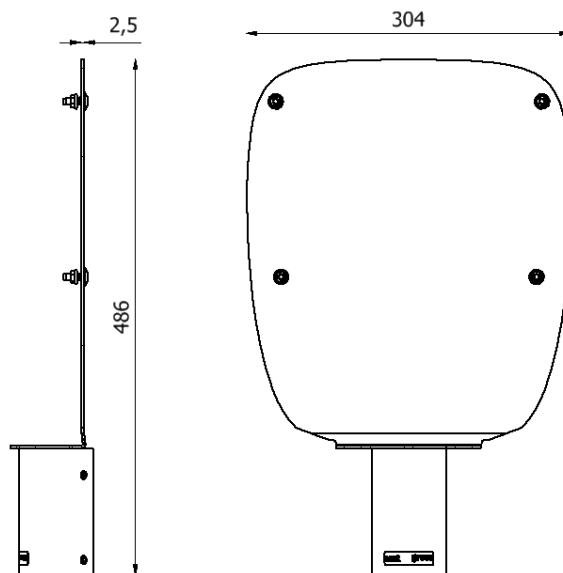
Color
Graphite grey

Dimensions

Weight 2.65 kg
Height 486 mm
Width 304 mm

Packaging dimensions

Weight 2.9 kg
Height 490 mm
Width 310 mm
Depth 80 mm



SELECTION OF COMPATIBLE EV-CHARGERS

- Charge Amps Aura

Next Green Poleplate 330 is an EV-charger mount for installation on a \varnothing 60 mm tube or pole. Poleplate is made of Swedish steel and powder coated to provide the highest durability and quality. Poleplate enables easy mounting of a charging box to a steel tube or pole. Poleplate is manufactured in Sweden for the Nordic climate. It

has a powder-coated design to withstand wind and weather. The Poleplate charging box holder is a cost-effective pole mount. Poleplate 330 facilitates changing an engine heater station to a charging station and can be used to replace an engine heater central.