

# Wallplate 320

next  green

Mounting and installation products E-mobility  
Wall mount  
NEXT GREEN - WALLPLATE 320

## Model

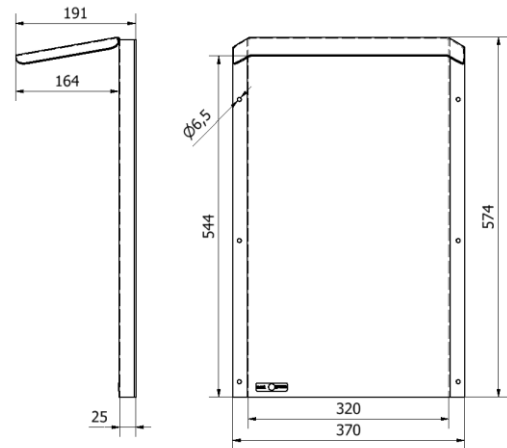
**E-No:**  
27 005 11  
**S-No:**  
35 063 14

**Product name:**  
Wallplate 320



## WALLPLATE 320 FEATURES

- For mounting an EV-charging station on wall
- Facilitates mounting on uneven surfaces
- Wiring can be done behind the Wallplate
- Protects EV-charging station and the wall
- Powder coated, available in various colors.  
Contact Next Green for more information



## Technical specifications

**Material**  
**Color**

Steel plate, powder coated  
Graphite grey

**Dimensions**  
**Weight** 3,5 kg  
**Height** 574 mm  
**Width** 370 mm  
**Depth** 191 mm

**Packaging dimensions**  
**Weight** 3,6 kg  
**Height** 580 mm  
**Width** 370 mm  
**Depth** 200 mm

**Next Green – Wallplate** is a universal wall mount for EV-charging stations. Wallplate provides a flat and stable mounting surface on uneven facades and minimizes stress that can otherwise occur on the back of the charging box. Wallplate is designed to enable assembly of various differently sized EV-charging box models. The integrated roof protects against precipitation. Wallplate provides one solid mount for the charging box. Hole pattern for respective charging box is drilled directly into the Wall plate mount for installation.



## SELECTION OF COMPATIBLE EV-CHARGERS

- Alfen Eve Double
- Charge Amps Aura
- CTEK Chargestorm
- Defa eRange Duo
- Hager Witty
- Schneider EVlink
- Waybler Dynamic
- Zaptec Pro

## Accessories

**Cable holder** for mounting direct on the wall or Wallplate

**E number**  
24 803 56  
**S-No**  
35 063 00

**Name**  
Cable holder  
Daytona T2



next  green

Next Green AB  
Brudtallsvägen 14  
SE-792 32 MORA  
SWEDEN

www.nextgreen.se  
info@nextgreen.se  
Tel: +46 250 50 39 90