

# Polebox 270 Q



Mounting and installation products E-mobility  
EV-charger pole mount  
NEXT GREEN - POLEBOX 270 Q

## Model

**E-No:**  
27 007 99  
**S-No:**  
35 063 47

**Product name:**  
Charging box mount Polebox 270 Q



## POLEBOX 270 Q FEATURES

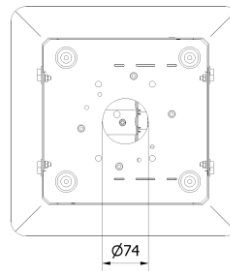
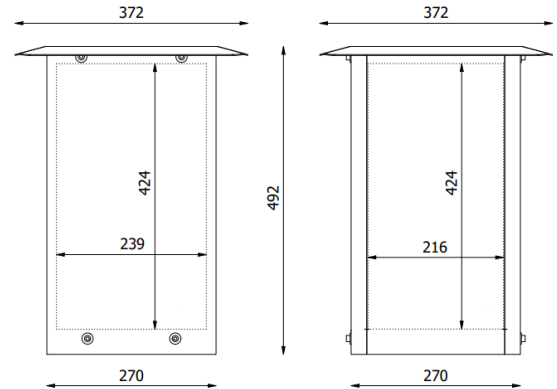
- Enables mounting up to four (4) EV charging boxes on Pedestal Dynamic E. no. 27 004 88
- Can be mounted on a Ø 60 mm pole or tube Adapter Tube bracket Dynamic S E.no. 27 004 89 is needed for mounting on Ø 60 mm steel tube
- Terminal block for easy reconnection of power supply is included
- The terminal block supports 6 mm<sup>2</sup> - 16 mm<sup>2</sup> cable, Al and Cu
- Prepared for installation of four pcs MCB/RCBO
- Robust construction - high-strength steel
- The installation can be prepared indoors
- Powder coated, can be delivered in different colors. Contact Next Green for more information

## Technical specifications

**Material** Steel, High-strength steel, Magnelis®  
**Color** Powder coated, Graphite grey  
**Mark** CE  
**Standard** IEC 61439-7, IP44, IK10

**Dimensions**  
**Weight** 12,5 kgs  
**Height** 492 mm  
**Width** 270 mm  
**Depth** 372 mm  
**Mounting surface (WxH)** 424x216 mm (4No)

**Packaging dimensions**  
**Weight** 13,5 kgs  
**Height** 565 mm  
**Width** 384 mm  
**Depth** 390 mm



## SELECTION OF COMPATIBLE EV-CHARGERS

- ABB Terra AC
- Alfen Eve Single
- Charge Amps Dawn
- Compleo eBOX pro
- DEFA Power
- Garo Entity PRO
- Hager Witty One
- Schneider Charge
- Schneider Charge PRO
- Wallbox Pulsar MAX
- Zaptec Pro & Go

**Next Green Polebox 270 Q** is a pole mount intended for mounting up to four charging boxes on Next Green Pedestal Dynamic (E-number: 27 004 88) Polebox 270 Q can also be mounted on a Ø 60 mm tube or pole. For mounting on a pole, an adapter is required. Pole mount Dynamic S (E-number 27 004 89). The product is intended for feeding electric cable inside the pole/tube or pedestal.

Polebox has a built-in distribution terminal block up to 16 mm<sup>2</sup> electric cable for further connection to the next EV-charger. Pole box is supplied with DIN rail for four pcs MCB/RCBO. Everything fits in the box.

Polebox is made of steel and powder coated for the highest quality.

Polebox is compatible with several models of EV-charging boxes and the respective hole pattern is drilled during the installation.

Polebox is easy to assemble and can be prepared indoors by mounting the EV-charging box/charging boxes and do the wiring from the terminal block.

Meets the applicable parts of IEC 61439-7, IP44 and IK10.