

Wallcab 270



Mounting and installation products E-mobility
EV-charger pole mount
NEXT GREEN - WALLCAB 270

Model

E-No:
27 009 44
S-No:
35 063 46

Product name:
Charging box mount Wallcab 270



WALLCAB 270 FEATURES

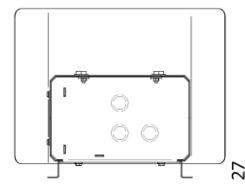
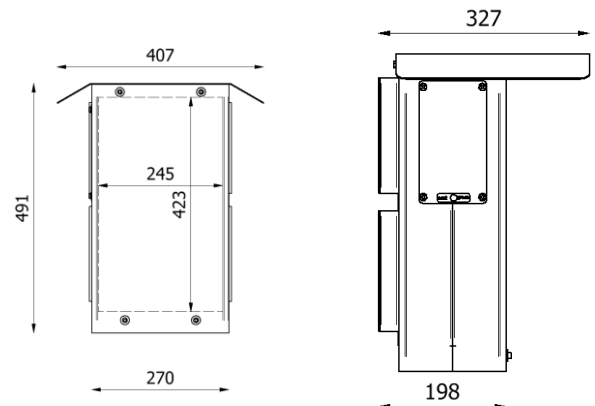
- For mounting an EV- charging box on the wall
- Terminal block for easy forwarding of power supply included
- The terminal block supports 1.5 mm² - 25 mm² cable, Al and Cu
- Prepared for the installation of two four-module DIN components (MCB/RCBO/RCCB) with access via the service hatch on the side
- Robust construction in high-strength steel
- A large part of the installation can be prepared indoors
- Powder coated, can be delivered in different colors. Contact Next Green for more information

Technical specifications

Material Steel, High-strength steel, Magnelis®
Color Powder coated, Graphite grey
Mark CE
Standard IEC 61439-7, IP44, IK10

Dimensions
Weight 11,2 kgs
Height 491 mm
Width 270 mm
Depth 198 mm
Mounting surface WxH 245x423 mm

Packaging dimensions
Weight 12 kgs
Height 584 mm
Width 253 mm
Depth 384 mm



SELECTION OF COMPATIBLE EV-CHARGERS

- ABB Terra AC
- Alfen Eve Single
- Charge Amps Dawn
- Compleo eBOX smart
- Compleo eBOX
- Hager Witty one
- DEFA Power
- Garo Entity PRO
- Zaptec Pro

Next Green Wallcab is a wall bracket intended for mounting a charging box. Wallcab makes it easier, for example, when changing from an engine heater location to a charging location and can be used to replace an engine heater center. The product is intended for feeding electrical cables from the bottom. The cable can be routed through the gap between the Wallcab and the wall.

Wallcab has a built-in distribution terminal for up to 5G25mm² electrical cable for easy connection to the next charging box. Wallcab is supplied with a DIN rail for two four-module DIN components (earth leakage circuit breaker/personal protection

switch). Everything fits in the Wallcab and is easily accessible through the service hatch on the side.

Wallcab is made of steel and powder coated for the highest quality.

Wallcab is adapted for several models of charging boxes and the respective mounting pattern is drilled during assembly.

Wallcab is easy to assemble and can be prepared indoors by mounting the charging box and pulling the wiring from the distribution terminal.

Complies with: Applicable parts of IEC 61439-7, IP44, IK10.